

HARSH HOTLINE

IF YOU CANNOT FIND THE EXACT SPECIFICATIONS TO MATCH YOUR APPLICATION, CALL 800-227-1702.

WE WILL RUN YOUR SPECS THROUGH OUR EXCLUSIVE **H.A.P.** (HARSH APPLICATION PROGRAM) AND SEND YOU A COMPUTER PRINTOUT VIA FAX OR EMAIL

E-mail: harsh@harshenviro.com
Web: www.harshenviro.com

RL-A05, RL-B10, RL-C20

DOUBLE ACTING

*The First . . .
. . . And Still the Best*

RL-A05 CAPACITY IN TONS

BOX LENGTH (FEET)	CAB TO AXLE (INCHES)	OVER-HANG * (INCHES)	DUMP ANGLE			
			MOUNTING LENGTH			
			40° 51"	45° 45"	50° 41"	55° 38"
8	60	6	2.5	2.2	2.0	1.8
9	60	18	2.9	2.5	2.3	2.1
	72	6	2.2	1.9	1.7	1.6
9.5	60	24	3.2	2.8	2.5	2.3
	72	12	2.3	2.0	1.8	1.7
10	60	30	3.5	3.1	2.3	2.6
	72	18	2.5	2.2	1.7	1.8
	84	6	1.9	1.7	1.5	1.4
11	72	30	2.9	2.5	2.4	2.1
	84	18	2.2	1.9	1.7	1.6
12	84	30	2.5	2.2	2.0	1.8

RL-B10 CAPACITY IN TONS

BOX LENGTH (FEET)	CAB TO AXLE (INCHES)	OVER-HANG * (INCHES)	DUMP ANGLE			
			MOUNTING LENGTH			
			40° 69"	45° 61"	50° 55"	55° 51"
8	60	6	8.6	7.5	6.8	6.3
9	60	18	10.0	8.8	7.9	7.4
	72	6	7.5	6.6	5.9	5.5
9.5	60	24	10.9	9.6	8.7	8.0
	72	12	8.0	7.0	6.3	5.9
10	60	30	12.0	10.6	9.5	8.8
	72	18	8.6	7.5	6.8	6.3
	84	6	6.6	5.9	5.3	4.9
11	72	30	10.0	8.8	7.9	7.4
	84	18	7.5	6.6	5.9	5.5
12	84	30	8.6	7.5	6.8	6.3

RL-C20 CAPACITY IN TONS

BOX LENGTH (FEET)	CAB TO AXLE (INCHES)	OVER-HANG * (INCHES)	DUMP ANGLE			
			MOUNTING LENGTH			
			40° 83"	45° 74"	50° 67"	55° 61"
8	60	6	11.0	9.8	8.9	8.1
9	60	18	12.9	11.5	10.4	9.4
	72	6	9.6	8.6	7.8	7.1
9.5	60	24	14.1	12.5	11.3	10.3
	72	12	10.3	9.2	8.3	7.5
10	60	30	15.5	13.8	12.5	11.3
	72	18	11.0	9.8	8.9	8.1
	84	6	8.6	7.6	6.9	6.3
11	72	30	12.9	11.5	10.4	9.4
	84	18	9.6	8.6	7.8	7.1
12	84	30	11.0	9.8	8.9	8.1
	102	12	7.7	6.9	6.2	5.6
13	102	24	8.6	7.6	6.9	6.3

NOTE: CAPACITY IN TONS AT 2500 PSI (172 bar)

(1) Overhang based on 32" from center line of tail hinge pin to center line of truck axle with 2" clearance between cab and box.

(2) These capacities are for the body and payload together with an evenly distributed, non-diminishing, solid load for the full dump cycle. The center of gravity of the load is assumed to be at the center of the body.

SPECIFICATIONS SUBJECT TO CHANGE WITHOUT NOTICE

NOW AVAILABLE

Sub-frames for RL-B10 and RL-C20. Includes mounts and tail hinge.

SOLD WITH HOIST ONLY

THE BEST TIPPING GEAR EVER, MADE EVEN BETTER!

To back up the best warranty in the industry, HARSH® has subjected each Rigid Lift® Main Frame design to a tough 20,000 cycle test. 2/3 of this test simulated maximum off center load conditions. The Rigid Lift® performed without main frame failure and very little wear to moving parts.

Many years of customer use and testing in the field is positive proof of excellence and durability of the HARSH® Rigid Lift® Tipping gear.

*7 Year Limited
Frame Warranty*

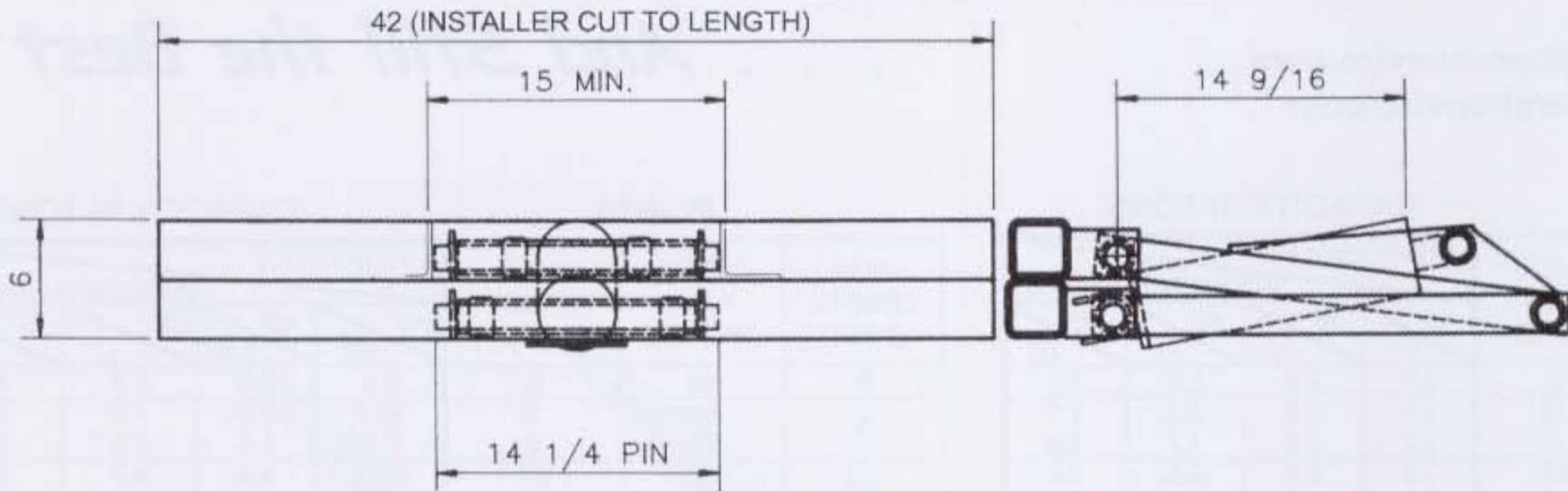
HARSH®

Tipping Gear

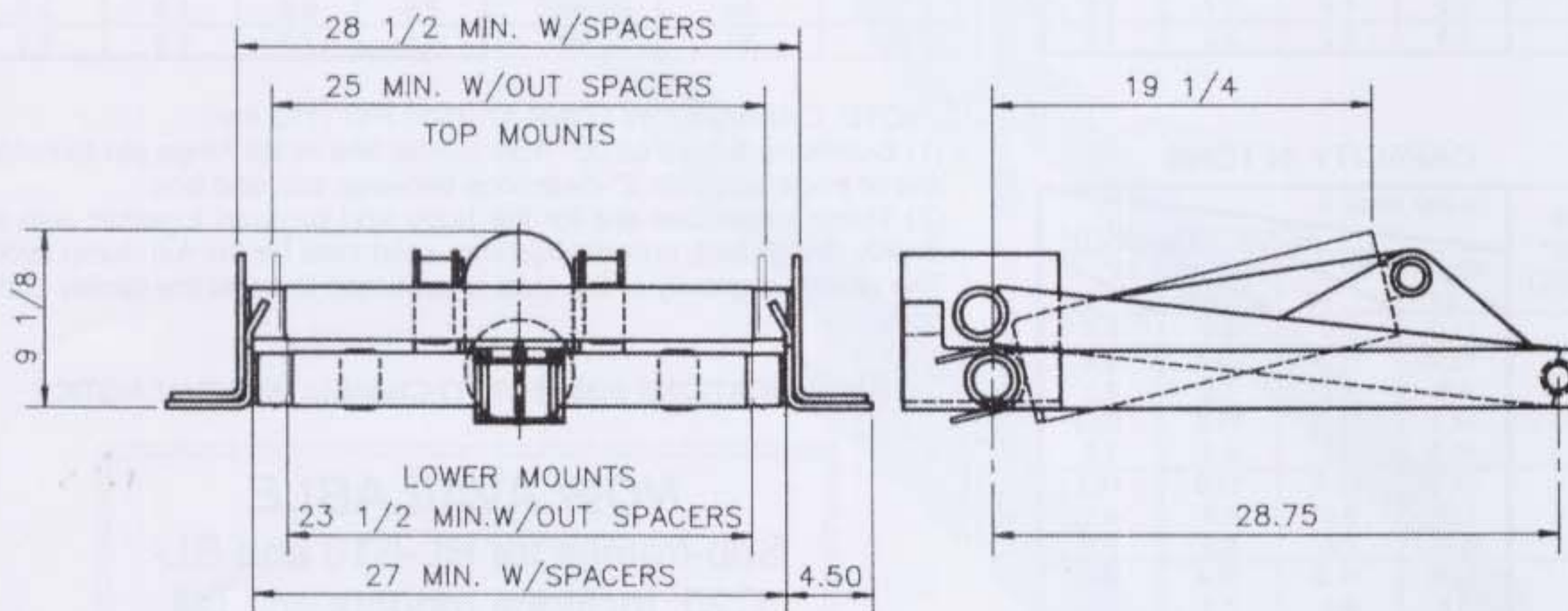


RL-A05, RL-B10, RL-C20

RL-A05
3 1/2" DIAMETER CYLINDER **1 1/2" ROD DIAMETER** **9" STROKE**



RL-B10
5" DIAMETER CYLINDER **1 3/4" ROD DIAMETER** **15" STROKE**



RL-C20
5" DIAMETER CYLINDER **1 3/4" ROD DIAMETER** **19" STROKE**

