

# RL-H80

DOUBLE ACTING

## HARSH HOTLINE

IF YOU CANNOT FIND THE EXACT SPECIFICATIONS THAT MATCH YOUR APPLICATION, JUST CALL **1-800-227-1702** AND WE WILL RUN YOUR SPEC'S THROUGH OUR *EXCLUSIVE H.A.P.* (HARSH APPLICATION PROGRAM) AND FAX YOU A COMPUTER PRINTOUT.

### THE BEST TIPPING GEAR EVER, MADE EVEN BETTER!

To back-up the best warranty in the industry, HARSH® has subjected each Rigid Lift® Main Frame design to a tough 20,000 cycle test (1/3 of this test simulated maximum off center load conditions). The Rigid Lift® performed without main frame failure and very little wear to moving parts.

Many years of customer use and testing in the field is positive proof of excellence and durability of the HARSH® Rigid Lift® Tipping gear.

- 7 year limited warranty\*
- World wide recognition
- Industry leader for over 40 years
- Built and tested to last longer
- Featuring dynamic stability
- Minimal weight
- High polished hard chrome cylinders
- Fast Tipping cycle
- 3300 PSI operating pressure (228 bar)
- Ease of maintenance
- Classified for both dump body (NTEA Class 80) and conversion hoist (NTEA Class H) use.

\* See our Harsh® Rigid Lift® Hoist 7 year limited warranty for details.

### CAPACITY IN TONS

BOX LENGTH (FEET)	CAB TO TRUNNION (INCHES)	OVER-HANG (INCHES)	DUMP ANGLE			
			MOUNTING LENGTH			
			40° 129"	45° 115"	50° 104"	55° 95"
18	138	36	29.3	26.1	23.6	21.5
	144	30	27.0	24.1	21.8	19.9
	150	24	25.1	22.3	20.2	18.4
20	162	36	25.1	22.3	20.2	18.4
	168	30	23.4	20.9	18.8	17.2
	174	24	21.9	19.5	17.7	16.1
22	186	36	21.9	19.5	17.7	16.1
	192	30	20.7	18.4	16.6	15.2
	198	24	19.5	17.4	15.7	14.3

### DUMP BODY APPLICATIONS

10		6			31.4	28.7
		12			35.4	32.3
12		6			25.7	23.3
		12			28.3	25.8

### NOTE: CAPACITY IN TONS AT 3300PSI (228 bar)

(1) Overhang based on 32" from center line of tail hinge pin to center line of truck axle on single axle trucks, and 44" from center line of tail hinge pin to center line of trunnion on tandem axle trucks, with 2" clearance between cab and box.

(2) These capacities are for the body and payload together with an evenly distributed, nondiminishing, solid load for the full dump cycle. The center of gravity of the load is assumed to be at the center of the body. SPECIFICATIONS ARE SUBJECT TO CHANGE WITHOUT NOTICE.

*7 Year Limited  
Frame Warranty*

# HARSH®

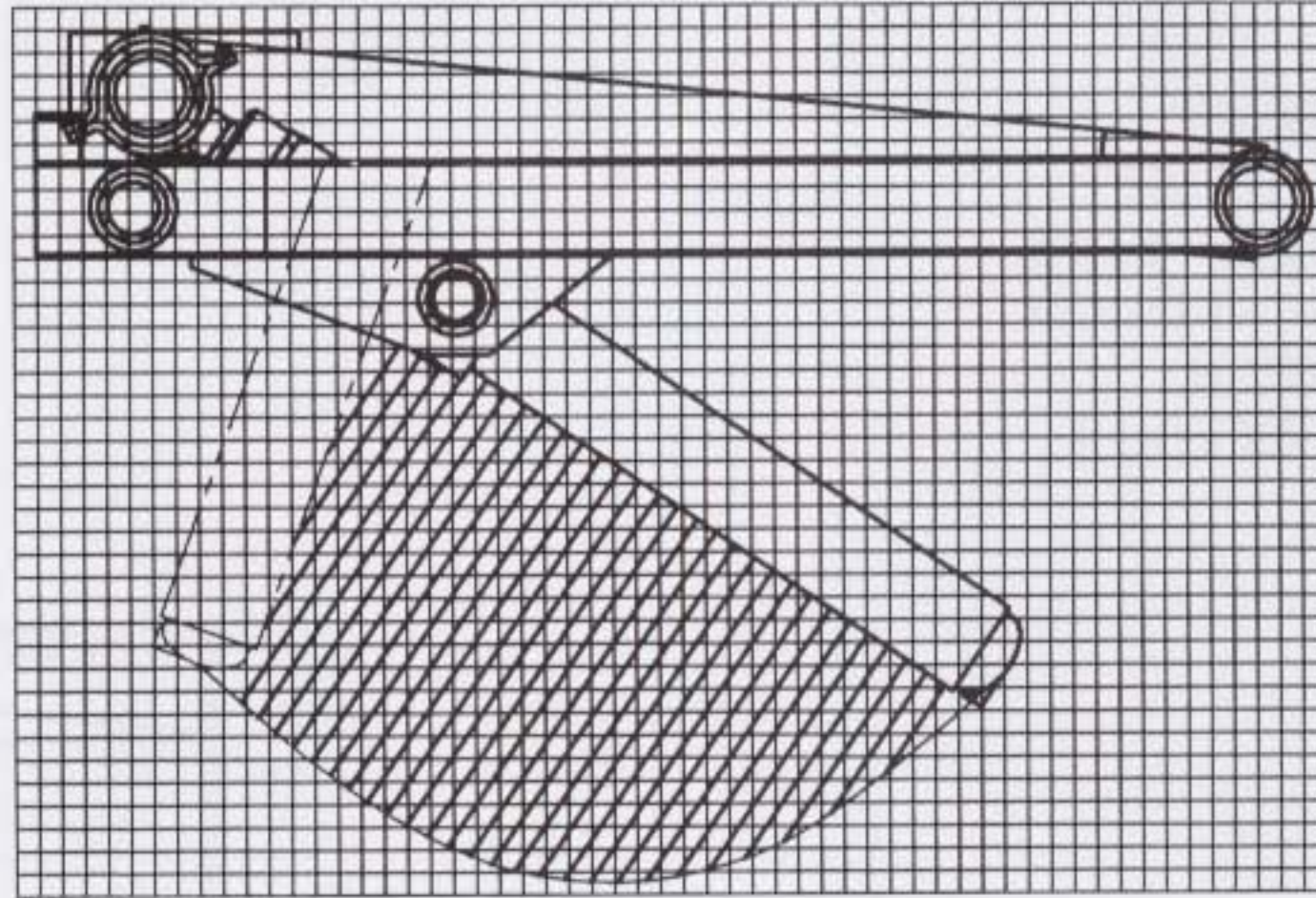
## Tipping Gear





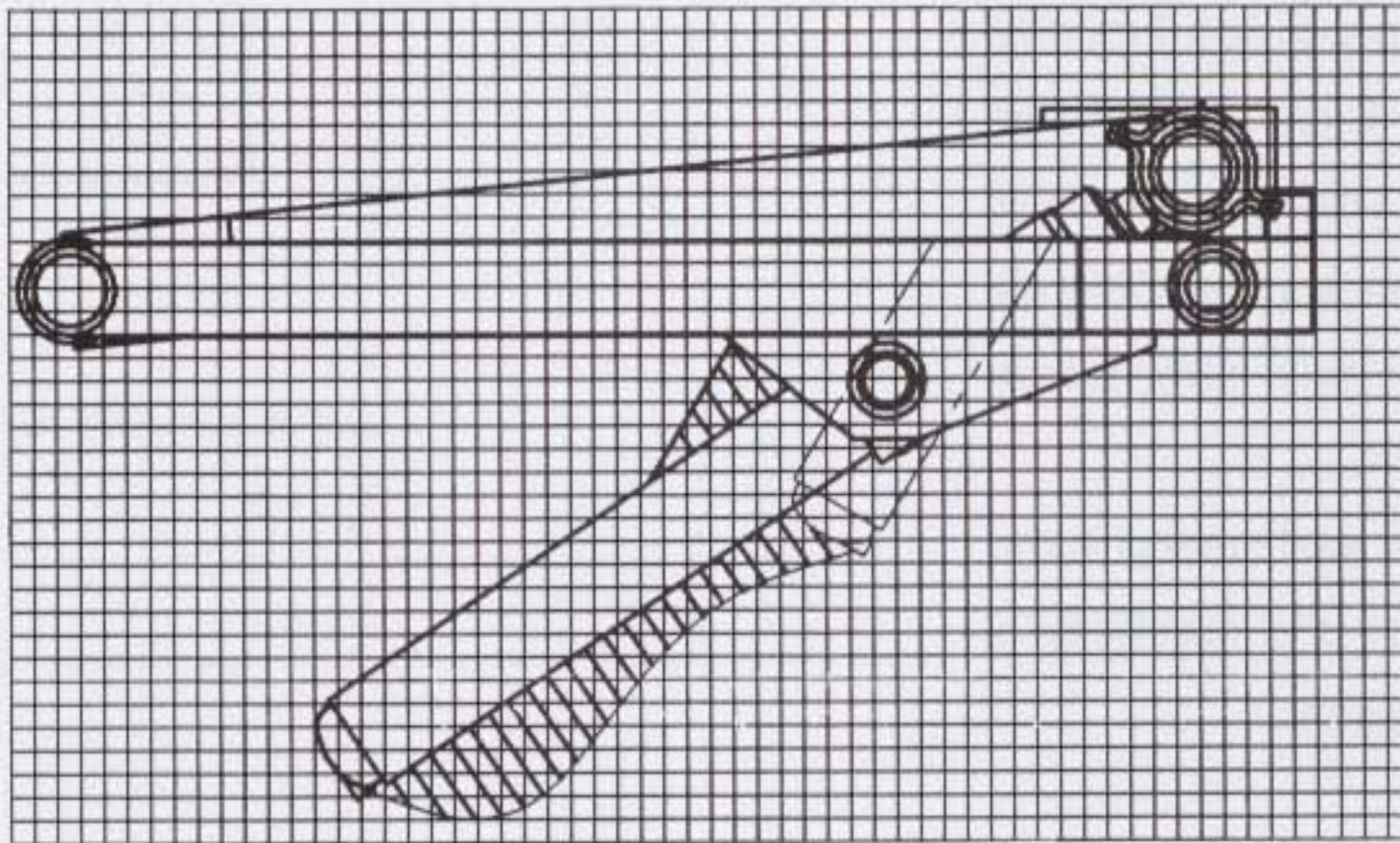
# REVERSE MOUNT

← CAB →



# STANDARD MOUNT

← CAB →



Cylinder Path: 1 square = 1 inch

