

# RL-J100

SINGLE ACTING

## HARSH HOTLINE

IF YOU CANNOT FIND THE EXACT SPECIFICATIONS THAT MATCH YOUR APPLICATION, JUST CALL **1-800-227-1702** AND WE WILL RUN YOUR SPEC'S THROUGH OUR *EXCLUSIVE H.A.P.* (HARSH APPLICATION PROGRAM) AND FAX YOU A COMPUTER PRINTOUT.

### THE BEST TIPPING GEAR EVER, MADE EVEN BETTER!

To back-up the best warranty in the industry, HARSH® has subjected each Rigid Lift® Main Frame design to a tough 20,000 cycle test (1/3 of this test simulated maximum off center load conditions). The Rigid Lift® performed without main frame failure and very little wear to moving parts.

Many years of customer use and testing in the field is positive proof of excellence and durability of the HARSH® Rigid Lift® Tipping gear.

- 7 year limited warranty\*
- World wide recognition
- Industry leader for over 40 years
- Built and tested to last longer
- Featuring dynamic stability
- Minimal weight
- High polished hard chrome cylinders
- Fast Tipping cycle
- 3100 PSI operating pressure (214 bar)
- Ease of maintenance
- Classified for both dump body (NTEA Class 100) and conversion hoist (NTEA Class J) use.

\* See our Harsh® Rigid Lift® Hoist 7 year limited warranty for details.

### CAPACITY IN TONS

BOX LENGTH (FEET)	CAB TO TRUNNION (INCHES)	OVER-HANG (INCHES)	DUMP ANGLE			
			MOUNTING LENGTH			
			40° 148"	45° 132"	50° 119"	55° 109"
18	138	36	38.3	34.1	30.7	28.0
	150	24	32.8	29.2	26.3	24.0
	156	18	30.7	27.3	24.5	22.4
20	162	36	32.8	29.2	26.3	24.0
	174	24	28.7	25.6	23.0	21.0
	180	18	27.0	24.1	21.6	19.8
22	186	36	28.7	25.6	23.0	21.0
	198	24	25.5	22.7	20.4	18.7
	204	18	24.2	21.5	19.4	17.7
24	210	36	25.5	22.7	20.4	18.7
	222	24	23.0	20.4	18.4	16.8
	228	18	21.9	19.5	17.5	16.0

### DUMP BODY APPLICATIONS

12	6	-	-	33.5	30.6
	12	-	-	36.8	33.7
14	6	-	-	28.3	25.9
	12	-	-	30.7	28.0
16	6	-	-	24.5	22.4
	12	-	-	26.3	24.0

#### NOTE: CAPACITY IN TONS AT 3100PSI (214 bar)

(1) Overhang based on 44" from center line of tail hinge pin to center line of trunnion on tandem axle, with 2" clearance between cab and box.

(2) These capacities are for the body and payload together with an evenly distributed, nondiminishing, solid load for the full dump cycle. The center of gravity of the load is assumed to be at the center of the body.

SPECIFICATIONS ARE SUBJECT TO CHANGE WITHOUT NOTICE.

*7 Year Limited  
Frame Warranty*

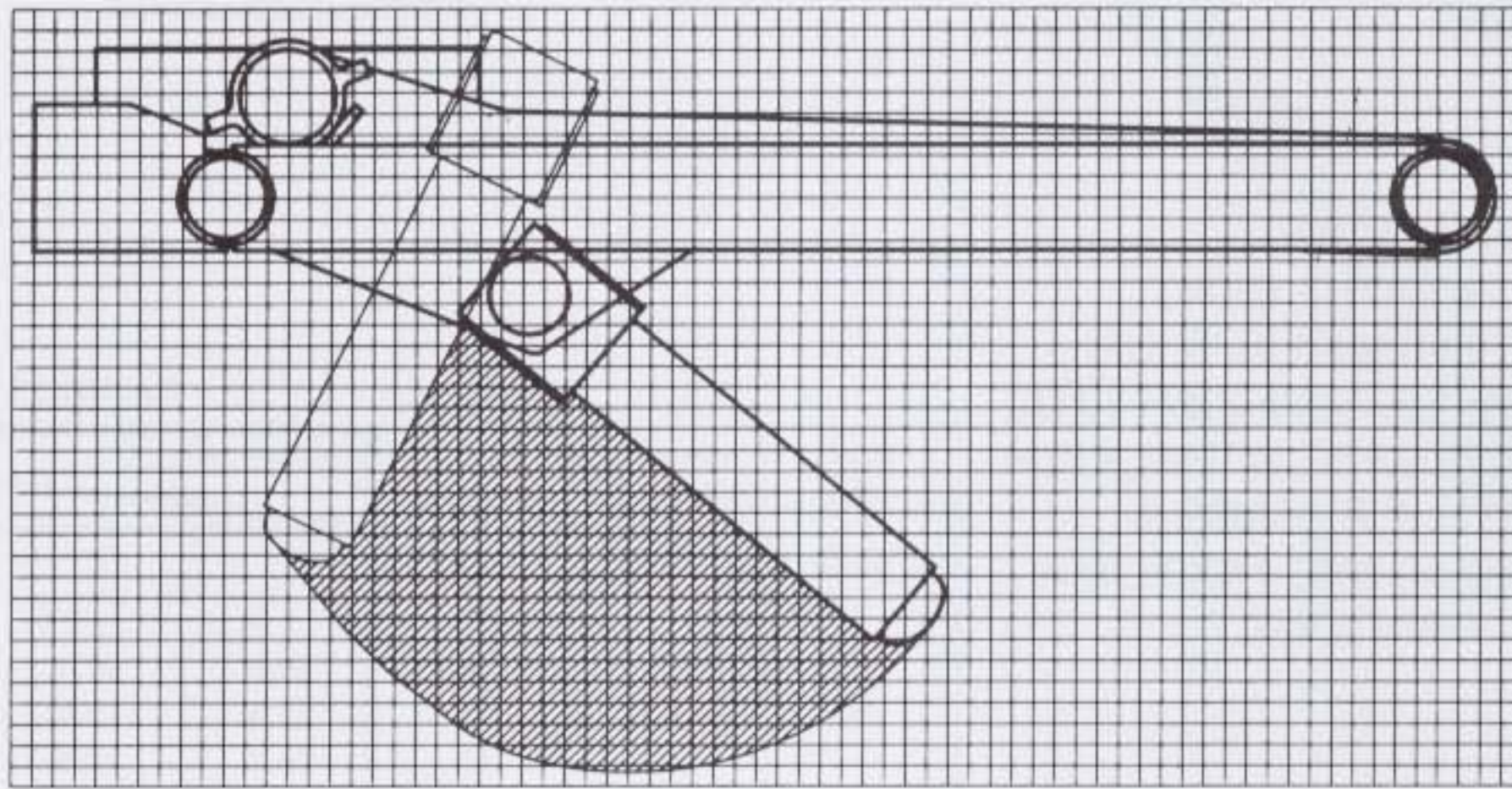
**HARSH**  
Tipping Gear



# REVERSE MOUNT

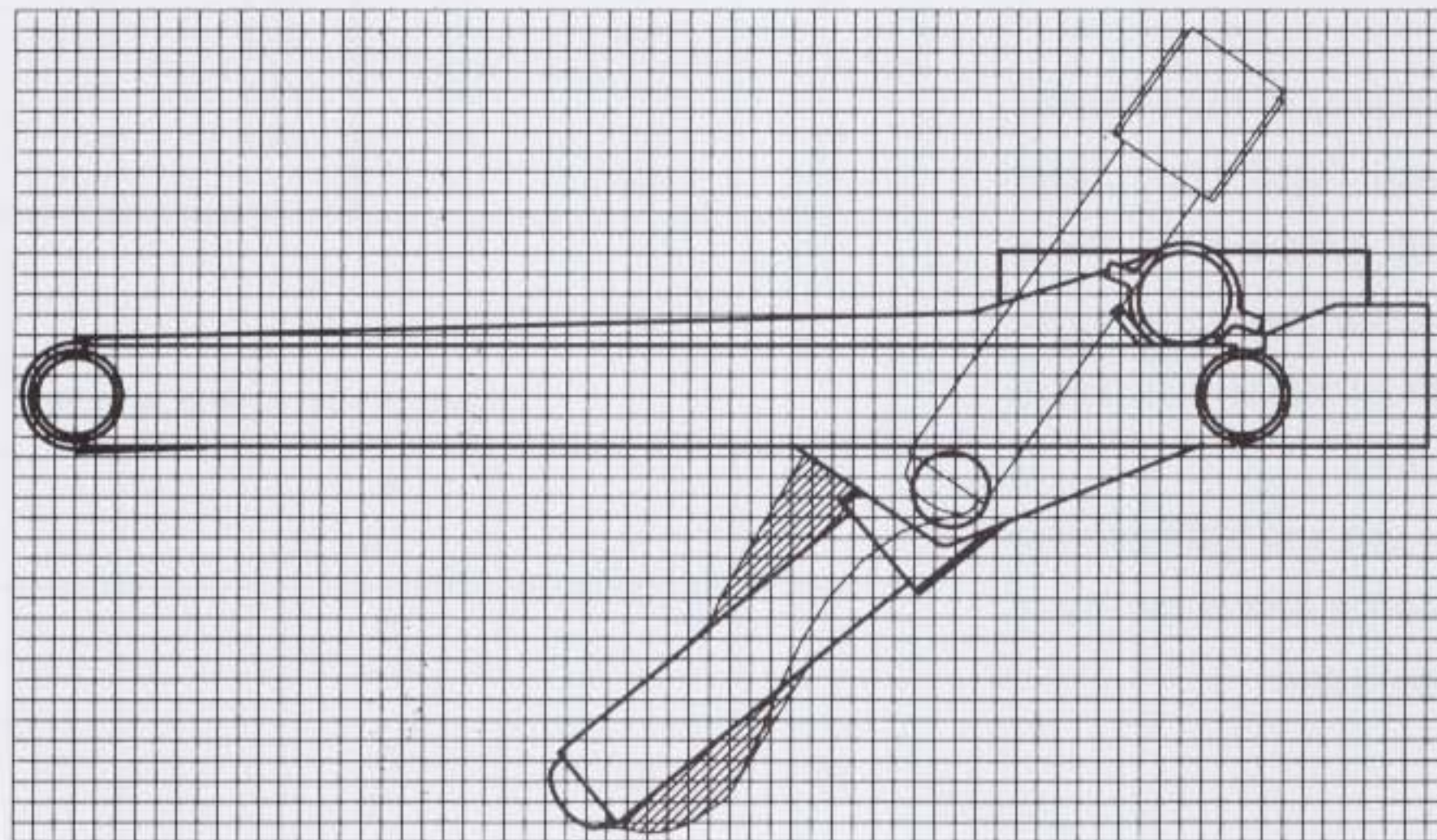
# RL-J100

← CAB →



# STANDARD MOUNT

← CAB →



Cylinder Path: 1 square = 1 inch

