



RL~L125

PARTS LIST # 102849B

USE THIS PARTS LIST FOR:

Hoist Serial Number 966 to _____

For older hoists use the following:
Parts List No. 102849A for Serial Number 001 to 965

IF YOUR HOIST DOES NOT FALL WITHIN THE SERIAL NUMBERS BREAKS,
CONTACT HARSH TO GET THE APPROPRIATE MANUAL

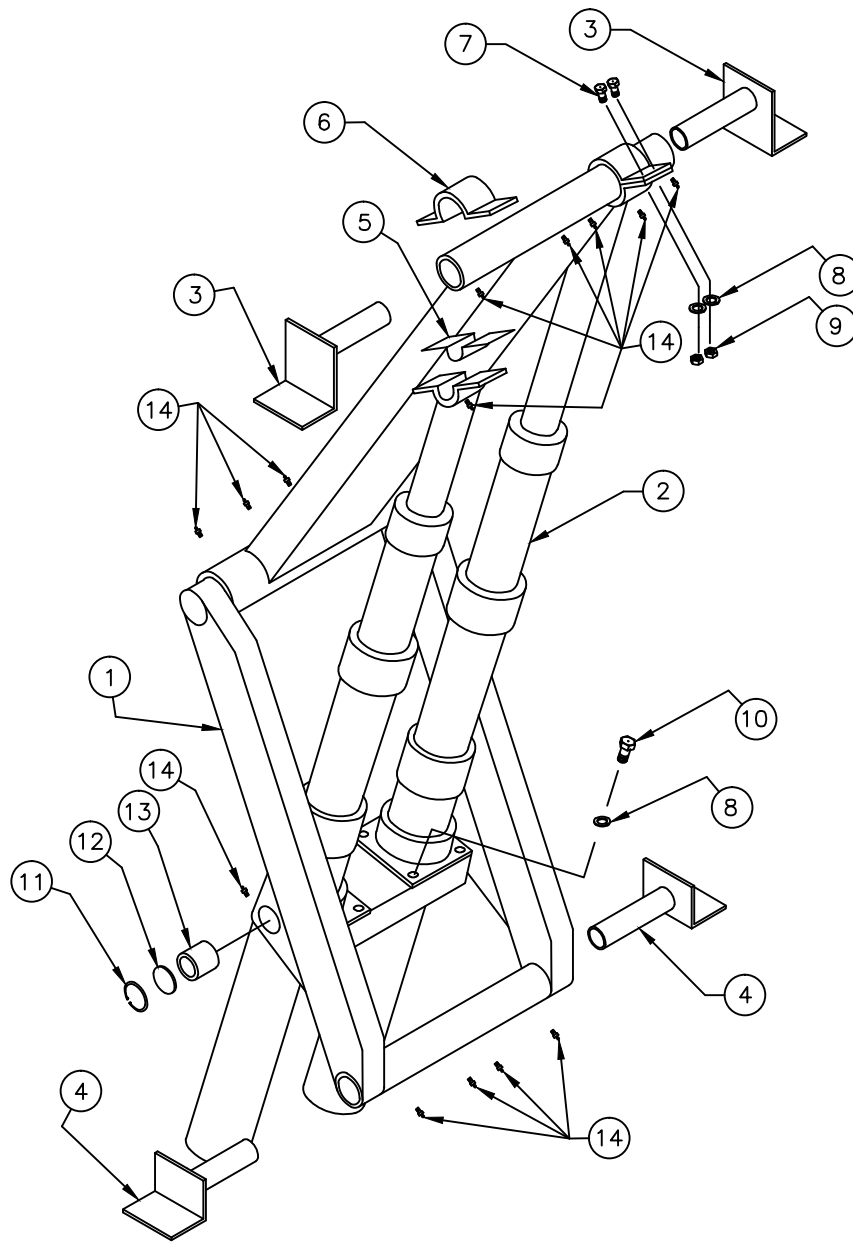
For pump replacement part numbers, consult the parts lists supplied with the pump

**IT IS RECOMMENDED THAT THIS HOIST
BE INSTALLED BY A QUALIFIED
TRUCK EQUIPMENT INSTALLER**

Harsh International, Inc.
600 Oak Avenue
Eaton, Colorado 80615

PHONE: (877) 427-7448 Toll-Free
(970) 454-1755 Local

FAX: (970) 454-1761
EMAIL: customersupport@harshenviro.com

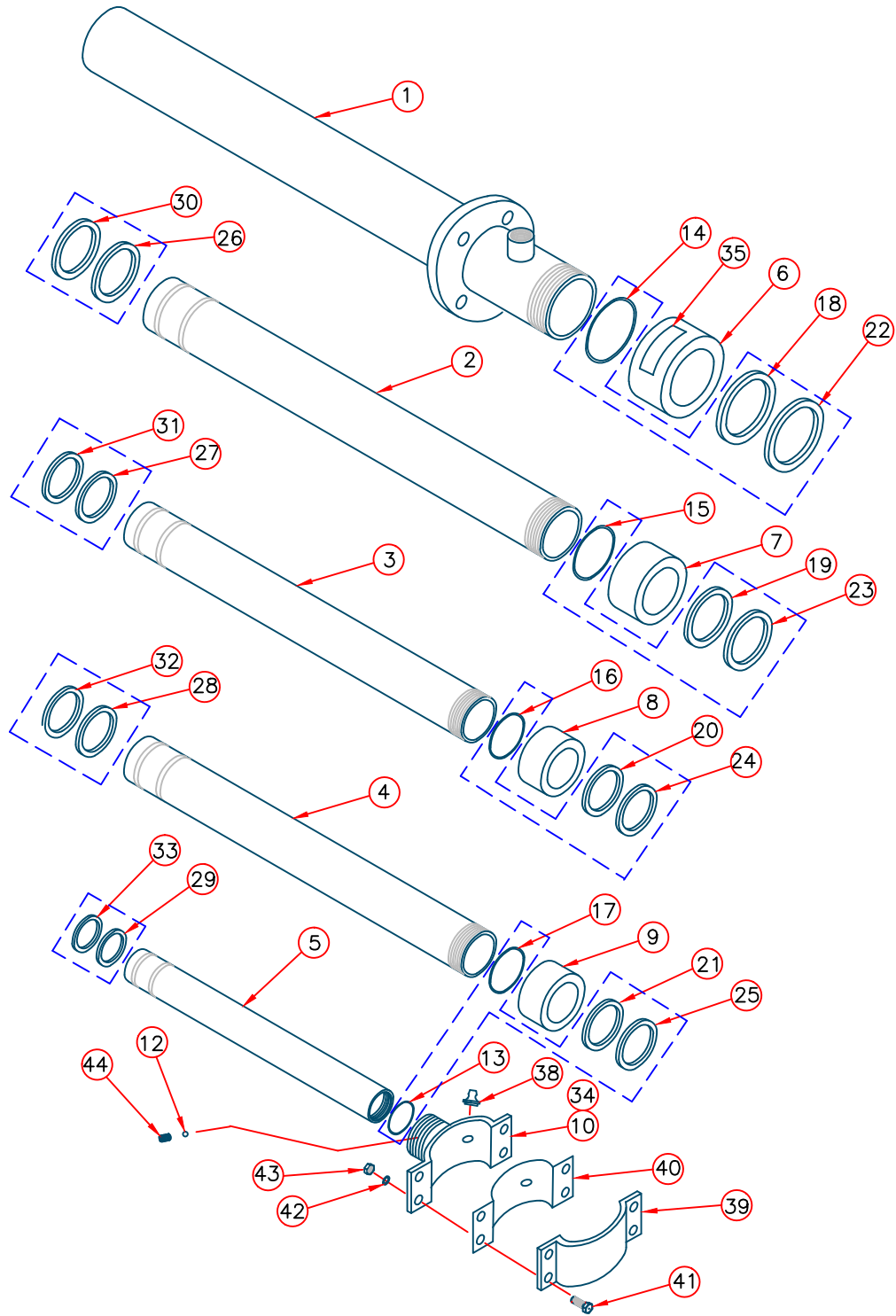


ITEM	PART #	QTY	DESCRIPTION	ITEM	PART #	QTY	DESCRIPTION
1	A17787	1	SCISSOR ASSEMBLY	9	100254	8	NUT, HEX
*2	A1839	2	CYLINDER ASSEMBLY	10	102974	8	SCREW, SCKT HD CAP
3	A16322	2	UPPER MOUNT	11	100440	2	SNAP RING
4	A18626	2	LOWER MOUNT	12	15818	2	PLATE, GREASE RETAINING
5	12915	2	BUSHING, BRASS	13	15454	2	BUSHING
6	10898	2	CYLINDER TOP MOUNT	14	101953	1	GREASE FITTING, 1/4-28 SELF TAPPING
7	100240	8	SCREW, HEX HD CAP	*15	A9780	1	DECAL KIT
8	100271	16	WASHER, LOCK				

NOTE: *2 - A1839 INCLUDES CYLINDER ASSY, CYLINDER TOP MOUNT, BRASS BUSHING, SCREWS LOCK WASHERS AND NUTS.

*15 - A9780 INCLUDES ALL DECALS USED ON HOIST.
SOME HOISTS MAY HAVE SELF TAPPING ZERKS IN VARIOUS LOCATIONS.

L125 HOIST CYLINDER PARTS



L125 HOIST CYLINDER PARTS LIST
PART # A17795

8QTY	ITEM #	PART #	DESCRIPTION
4	43	100254	NUT, HEX,
4	42	100271	LOCK WASHER,
4	41	100240	SCREW, HEX HD CAP
1	40	12915	BUSHING, BRASS
1	39	10898	CYLINDER TOP MNT, FRMD
1	38	101953	GREASE FITTING, 1/4—28 SELF TAPPING
1	**37	101167	PLUG, PIPE 1/2 NPT PLASTIC INTERNAL
1	**36	100552	ADHESIVE SEALANT
1	35	101046	DECAL, MAX CYL PRESSURE 3100 PSI
1	34	101033	DECAL, BLEEDER SCREW
1	*33	100567	WEAR RING, 3-1/2 OD x 1/2 LG
1	*32	100562	WEAR RING, 4 OD x 1/2 LG
1	*31	102224	WEAR RING, 4-1/2 OD x 1/2 LG
1	*30	101634	WEAR RING, 5 OD X 1/2 LG
1	*29	12944	STOP RING, 3-1/2 OD x 3/8 LG
1	*28	12945	STOP RING, 4 OD x 3/8 LG
1	*27	12946	STOP RING, 4-1/2 OD x 3/8 LG
1	*26	17810	STOP RING, 5 OD x 3/8 LG
1	*25	100385	WIPER RING, 3-3/8 ID—24
1	*24	100386	WIPER RING, 3-7/8 ID—28
1	*23	100387	WIPER RING, 4-3/8 ID—32
1	*22	102768	WIPER RING, 4-7/8 ID—36
1	*21	103582	SEAL, LOADED U-CUP POLYPAK, 3-3/8 ID
1	*20	103583	SEAL, LOADED U-CUP POLYPAK, 3-7/8 ID
1	*19	103584	SEAL, LOADED U-CUP POLYPAK, 4-3/8 ID
1	*18	103585	SEAL, LOADED U-CUP POLYPAK, 4-7/8 ID
1	*17	100193	O-RING, 3-3/4 ID x 1/8 CS—240
1	*16	100194	O-RING, 4-1/4 ID x 1/8 CS—244
1	*15	101949	O-RING, 4-3/4 ID x 1/8 CS—248
1	*14	100197	O-RING, 5-1/4 ID x 1/8 CS—252
1	*13	100191	O-RING, 2-3/4 ID x 1/8 CS—232
1	12	100478	BLEEDER BALL
1	11	10900	BLEEDER SCREW
1	10	A17811	CYLINDER TOP MNT ASSY
1	9	19825	GLAND NUT, 4-1/2 OD (3-7/8 THRD) (SEAL KITS #A9826,#A9827)
1	8	19826	GLAND NUT, 5 OD (4-3/8 THRD) (SEAL KIT #A9828)
1	7	19827	GLAND NUT, 5-1/2 OD (4-7/8 THRD) (SEAL KIT #A9831)
1	6	19828	GLAND NUT, 6 OD (5-3/8 THRD) (SEAL KIT #A9830)
1	5	17804	TUBE, CYLINDER, 3-3/8 OD x 19-1/2 LG
1	4	17803	TUBE, CYLINDER, 3-7/8 x 39-1/2 LG
1	3	17802	TUBE, CYLINDER, 4-3/8 OD x 37-1/2 LG
1	2	17801	TUBE, CYLINDER, 4-7/8 OD x 35-1/2 LG
1	1	A17796	CYLINDER BODY ASSY, L125 5-1/2 OD
		A1839	CYLINDER ASSEMBLY (COMPLETE)

NOTE: *14,18,22—Sold as Seal Kit # A9830. NOT SOLD SEPARATELY. *26,30—Sold as Wear & Stop Ring Kit # A9829. NOT SOLD SEPARATELY.
*15,19,23—Sold as Seal Kit # A9831. NOT SOLD SEPARATELY. *27,31—Sold as Wear & Stop Ring Kit # A9828. NOT SOLD SEPARATELY
*16,20,24—Sold as Seal Kit # A9116. NOT SOLD SEPARATELY. *28,32—Sold as Wear & Stop Ring Kit # A9827. NOT SOLD SEPARATELY
*17,21,25—Sold as Seal Kit # A9115. NOT SOLD SEPARATELY. *29,33—Sold as Wear & Stop Ring Kit # A9826. NOT SOLD SEPARATELY
**36,37—NOT SHOWN IN PICTORIAL

**GLAND NUT (19828) SEAL KIT
PART # A9830**

QTY	ITEM #	PART #	DESCRIPTION
1	3	102768	WIPER RING, 3-3/8 ID—32
1	2	103585	SEAL, LOADED U-CUP POLYPAK, 3-3/8 ID
1	1	100197	O-RING, 5-1/4 ID x 1/8 CS—252

**GLAND NUT (19827) SEAL KIT
PART # A9831**

QTY	ITEM #	PART #	DESCRIPTION
1	3	100387	WIPER RING, 4-3/8 ID—32
1	2	103584	SEAL, LOADED U-CUP POLYPAK, 4-3/8 ID
1	1	101949	O-RING, 4-3/4 ID x 1/8 CS—248

**WEAR & STOP RING SEAL KIT
PART # A9829**

QTY	ITEM #	PART #	DESCRIPTION
1	2	17810	STOP RING, 5 OD x 3/8 LG
1	1	101634	WEAR RING, 5 OD x 1/2LG

**GLAND NUT (19826) SEAL KIT
PART # A9116**

QTY	ITEM #	PART #	DESCRIPTION
1	3	100386	WIPER RING, 3-7/8 ID—28
1	2	103583	SEAL, LOADED U-CUP POLYPAK, 3-7/8 ID
1	1	100194	O-RING, 4-1/4 ID x 1/8 CS—244

**WEAR & STOP RING SEAL KIT
PART# A9828**

QTY	ITEM #	PART #	DESCRIPTION
1	2	12946	STOP RING, 4-1/2 OD x 3/8 LG
1	1	102224	WEAR RING, 4-1/2 OD x 1/2 LG

GLAND NUT (19825) SEAL KIT
PART # A9115

QTY	ITEM #	PART #	DESCRIPTION
1	4	100385	WIPER RING, 3-3/8 ID—24
1	3	103582	SEAL, LOADED U-CUP POLYPAK, 3-3/8 ID
1	2	100193	O-RING, 3-3/4 ID x 1/8 CS—240
1	1	100191	O-RING, 2-3/4 ID x 1/8 CS—232

WEAR & STOP RING SEAL KIT
PART# A9827

QTY	ITEM #	PART #	DESCRIPTION
1	2	12945	STOP RING, 4 OD x 3/8 LG
1	1	100562	WEAR RING, 4 OD x 1/2 LG

WEAR & STOP RING SEAL KIT
PART# A9826

QTY	ITEM #	PART #	DESCRIPTION
1	2	12944	STOP RING, 3-1/2 OD x 3/8 LG
1	1	100567	WEAR RING, 3-1/2 x 1/2 LG

HOIST SHIPPING GROUP

OPTION	PUMP	DESCRIPTION	SCISSOR	SM PARTS	PTO SHAFT	TAIL- HINGE	BOX PROP	QTY
L125-00	~~	NO PUMP	A1815	A1825			A1387	2
L125-20	~~	ENGLAND	A1815	A1735				2
L125-21	~~	NO PUMP—SCISSOR W/HOSES ONLY	A1815	A1827		A1281	A1387	2
L125-25	~~	ENGLAND/TRAILER	A1815	A1735				2